

PowerPAK10

HIGH POWER Battery/starter

The PowerPAK10 is a mini battery pack for charging computer devices via USB or starting auto or marine engines.*

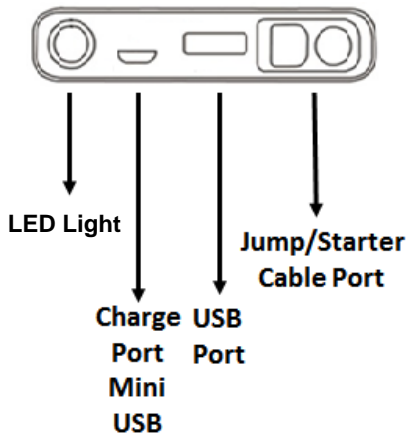
The PowerPAK10 features an 10,000mah battery, USB, and LED light. The unit can be charged via wall mount, car adapter, or solar panel.

This mini power pack is small enough to store in glove-compartment, purse, or even a coat pocket but powerful enough to start a car or marine motor. The lite weight yet powerful 10,000 mah LiPo polymer battery provides maximum power that evenly discharges and will quickly recharge via multiple adapters.



* - capability 1L-3.5L engine size..

Technical Information:



Model Version

PowerPAK10

Input

5V/2A, 12V/1A

Output

5V/2A, 12V/1A

Current/Max

300A/450A

Voltage

12V

Amperage

10,000 mah, 22.2 wh

Size

5in X 3in X 0.75in or 137mmX75mmX18mm

Weight

10.5 ounces or 300 grams

Output Connection

USB and Battery Clamp